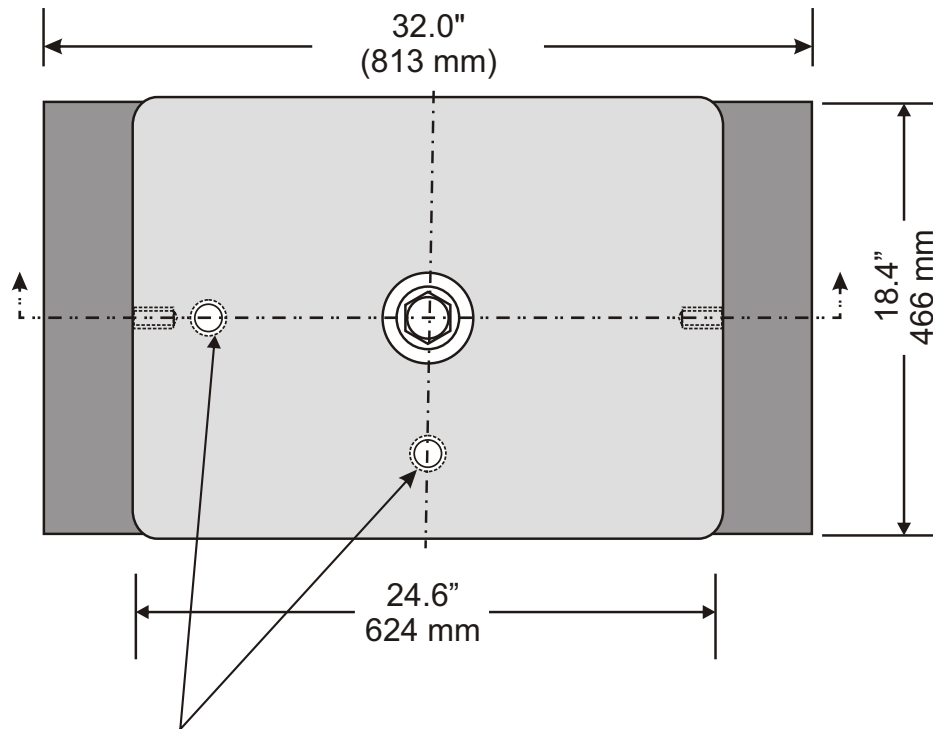
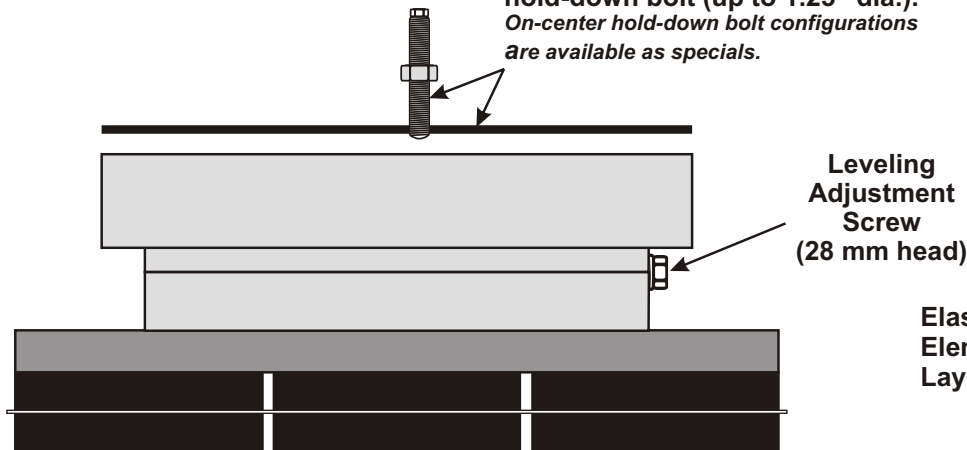


30WH MICRO/LEVEL® WEDGE ISOLATOR SPECIFICATION SHEET



Hold-Down Bolt Locations vary with installation.

Isolator is furnished with either a friction pad or an *off-center* hold-down bolt (up to 1.25" dia.). *On-center hold-down bolt configurations are available as specials.*



Model	Number of Elastomeric layers	Loaded Height ± 0.1 (3mm)				Target Installation Height	
		Minimum		Maximum		inch	mm
		inch	mm	inch	mm		
30WHM1201	1	12.0	305	13.1	333	12.6	319
30WHM1202	2	13.8	351	14.9	378	14.4	364
30WHM1203	3	15.7	399	16.8	427	16.3	413
30WHM1204	4	17.5	445	18.6	472	18.1	458
30WHM1431	1	12.0	305	13.1	333	12.6	319
30WHM1432	2	13.9	353	15.0	381	14.5	367
30WHM1433	3	15.8	401	16.9	429	16.4	415
30WHM1434	4	17.6	447	18.7	475	18.2	461
30WHL1861	1	11.6	295	12.7	323	12.2	309
30WHL1862	2	13.2	335	14.3	363	13.8	349
30WHL1863	3	14.8	376	15.9	404	15.4	390
30WHL1864	4	16.3	414	17.4	442	16.9	428
30WHK2161	1	11.4	290	12.5	318	12.0	304
30WHK2162	2	12.7	323	13.8	351	13.3	337
30WHK2163	3	14.1	358	15.2	386	14.7	372
30WHK2164	4	15.4	391	16.5	419	16.0	405
30WHX2401	1	11.0	281	12.1	309	11.6	295
30WHX2402	2	12.3	314	13.4	342	12.9	328
30WHX2403	3	13.7	349	14.8	377	14.3	363
30WHX2404	4	15.0	382	16.1	410	15.6	396

Note: Isolator data subject to change without notice.

Note: 1) Add 0.1" to height for Friction-Pad option.

2) Elevation Adjustment per turn of Adjustment Screw - 0.017" (0.42 mm)
(Adjustment does not include any changes in elastomer deflection due to changing load)

