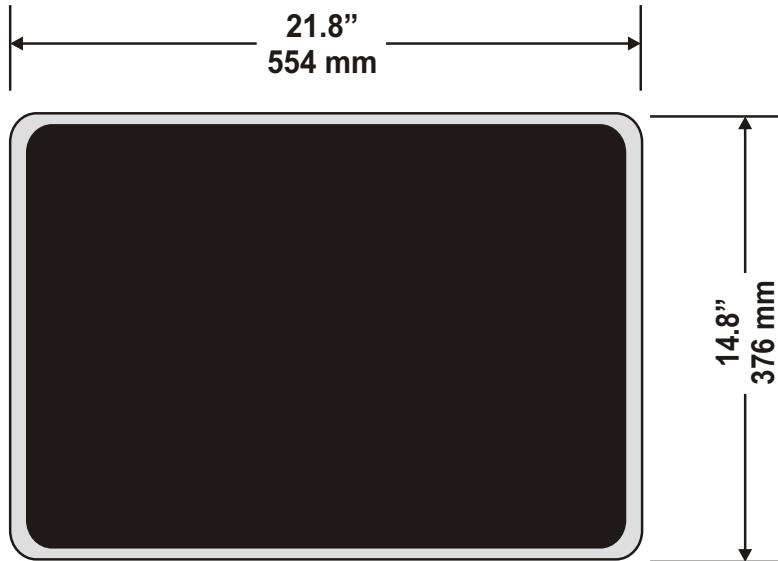


# 24WN MICRO/LEVEL® WEDGE ISOLATOR SPECIFICATION SHEET



ISOLATOR MODEL	LOADED HEIGHT		Target Installation Height
	Minimum	Adjustable To:	
24WNM080	6.7" (170 mm)	7.8" (199 mm)	7.3" (184 mm)
24WNM095	6.8" (173 mm)	7.9" (202 mm)	7.4" (187 mm)
24WNL124	6.4" (163 mm)	7.5" (192 mm)	7.0" (177 mm)
24WNL144	6.2" (157 mm)	7.3" (186 mm)	6.8" (171 mm)
24WNL160	5.9" (150 mm)	7.0" (179 mm)	6.5" (164 mm)

\* All Dimensional Tolerances are  $\pm 1/8"$  ( $\pm 3.2$  mm)

Note: Isolator data subject to change without notice.

Elevation Adjustment per turn of Adjustment Screw - 0.017" (0.42 mm)  
 (Adjustment does not include any changes in elastomer deflection due to changing load)

