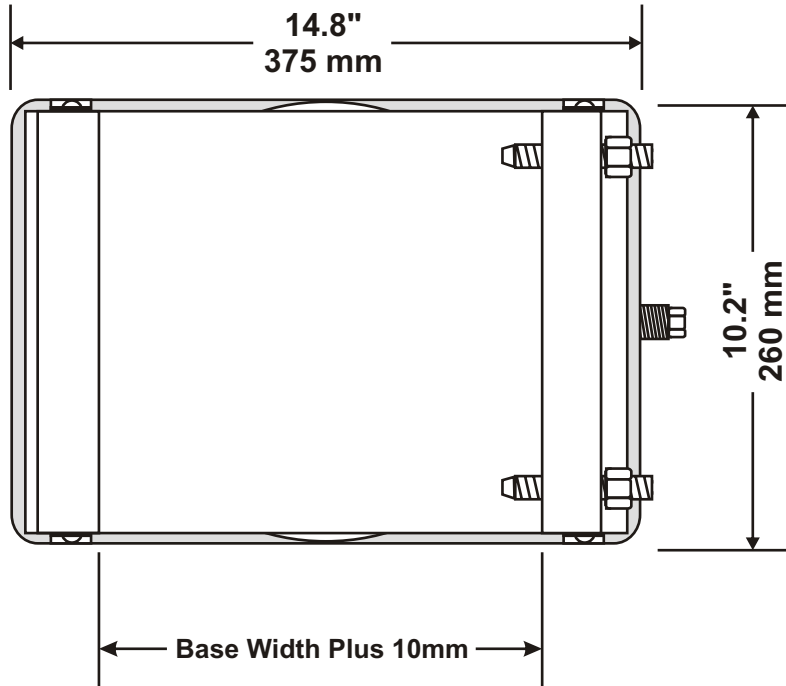


# 16W WEDGE ISOLATOR WITH CLAMPING MECHANISM

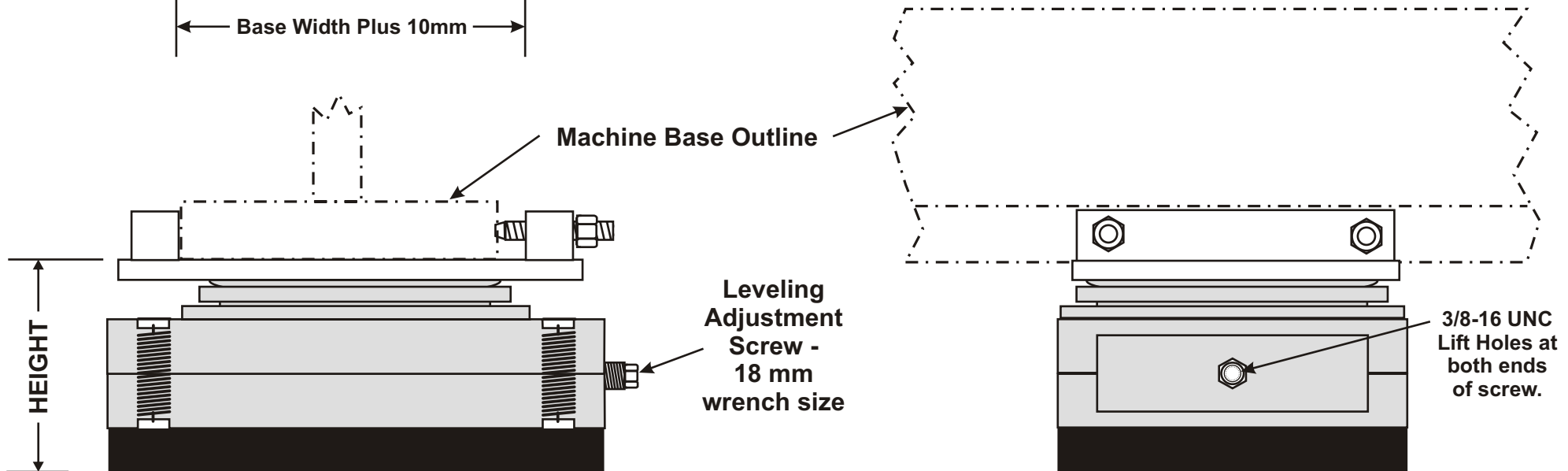


ISOLATOR MODEL	LOADED HEIGHT		Target Installation Height
	Minimum	Adjustable To:	
16WM40 - __ Clamp	7.4" (188 mm)	8.4" (213 mm)	7.9" (201 mm)
16WM47 - __ Clamp	7.4" (188 mm)	8.4" (213 mm)	7.9" (201 mm)
16WL62 - __ Clamp	7.0" (178 mm)	8.0" (203 mm)	7.5" (191 mm)
16WK72 - __ Clamp	6.8" (173 mm)	7.8" (198 mm)	7.3" (186 mm)
16WX80 - __ Clamp	6.5" (165 mm)	7.5" (190 mm)	7.0" (178 mm)

\* All Dimensional Tolerances are  $\pm 1/8"$  ( $\pm 3.2$  mm)

Note: Isolator data subject to change without notice.

Elevation Adjustment per turn of Adjustment Screw - 0.022" (0.56 mm)  
 (Adjustment does not include any changes in elastomer deflection due to changing load)



SS-16WC 2008