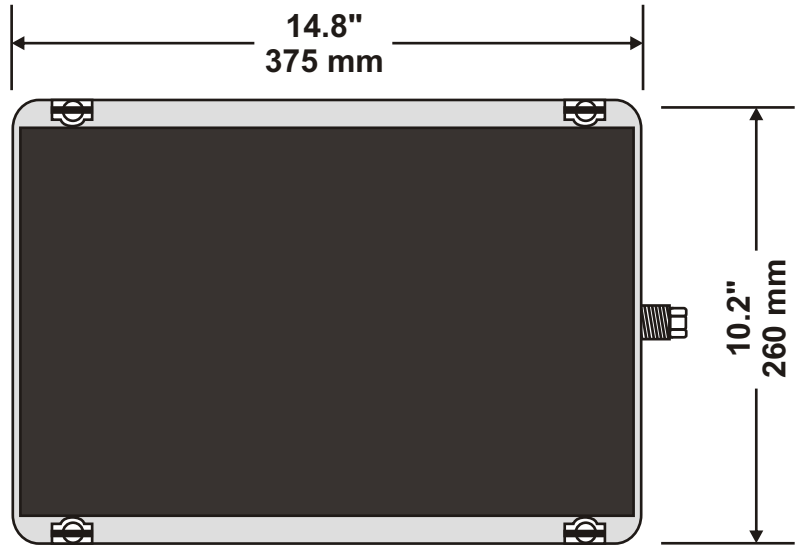


# 16WN MICRO/LEVEL® WEDGE ISOLATOR SPECIFICATION SHEET



ISOLATOR MODEL	LOADED HEIGHT		Target Installation Height
	Minimum	Adjustable To:	
16WNM40	5.9" (150 mm)	6.9" (175 mm)	6.4" (163 mm)
16WNM47	5.9" (150 mm)	6.9" (175 mm)	6.4" (163 mm)
16WNL62	5.5" (140 mm)	6.5" (165 mm)	6.0" (152 mm)
16WNL72	5.3" (135 mm)	6.3" (160 mm)	5.8" (148 mm)
16WNX80	5.0" (127 mm)	6.0" (152 mm)	5.5" (140 mm)

\* All Dimensional Tolerances are  $\pm 1/8"$  ( $\pm 3.2$  mm)

Note: Isolator data subject to change without notice.

Elevation Adjustment per turn of Adjustment Screw - 0.022" (0.56 mm)  
*(Adjustment does not include any changes in elastomer deflection due to changing load)*

