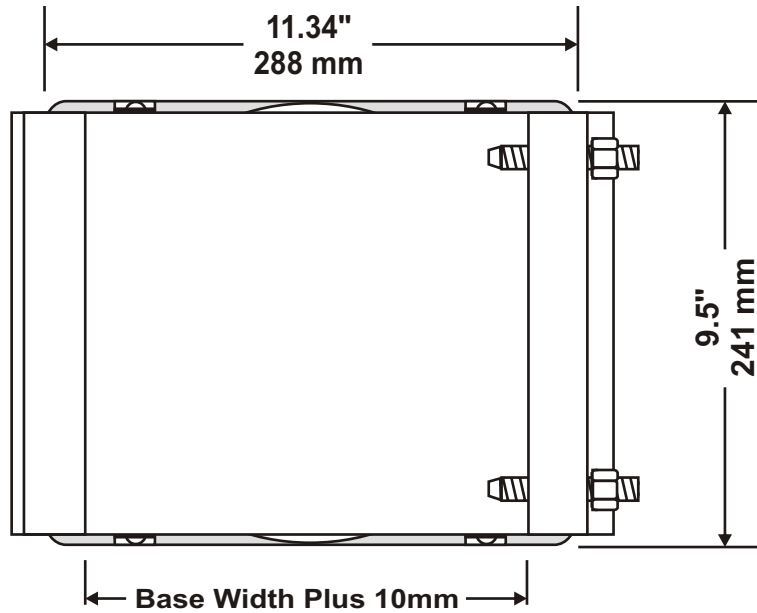


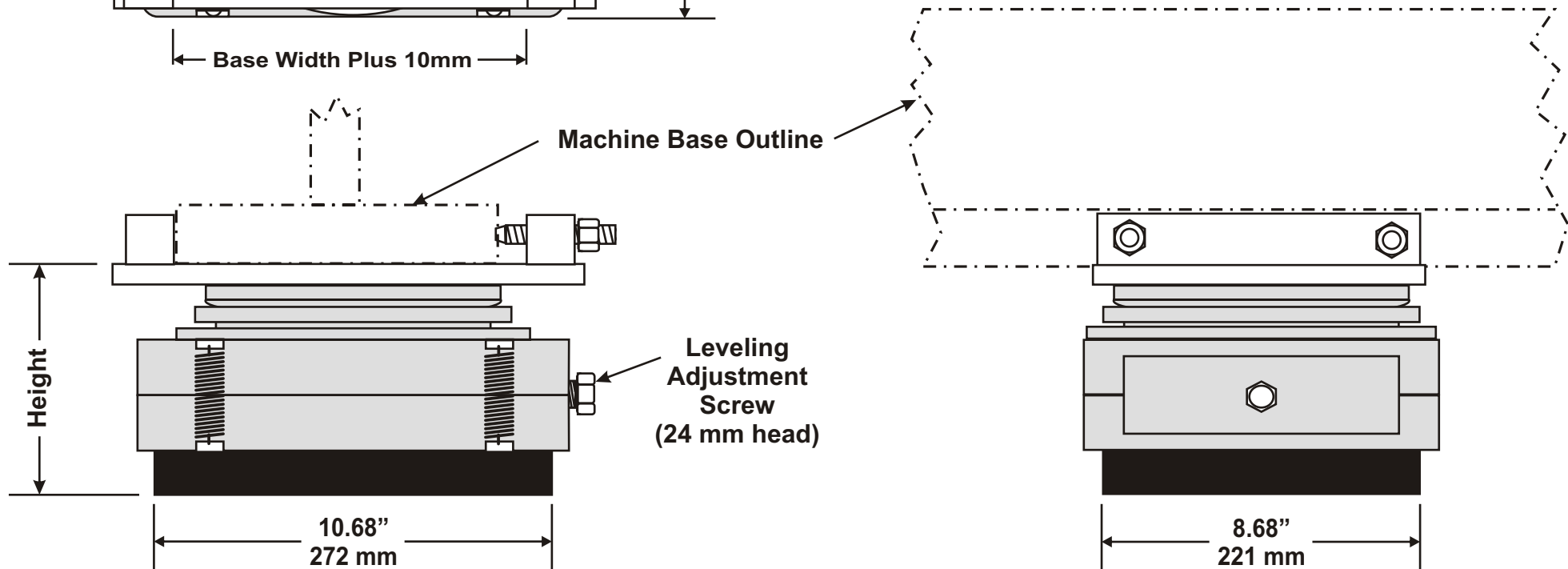
12W WEDGE ISOLATOR WITH CLAMPING MECHANISM



Model Number	Loaded Height $\pm 0.125"$ (3.18 mm)				Targeted Installed Height $\pm 0.125"$ (3.18 mm)	
	Minimum		Maximum		inch	mm
	inch	mm	inch	mm		
12W M	5.3	135	6.20	158	5.75	147
12W L	4.7	120	5.60	143	5.15	131
12W K	4.3	110	5.20	133	4.75	121

Note: Isolator data subject to change without notice.

Elevation Adjustment per turn of Adjustment Screw - 0.022" (0.56 mm)
 (Adjustment does not include any changes in elastomer deflection due to changing load)



SS-12WC 2005.05