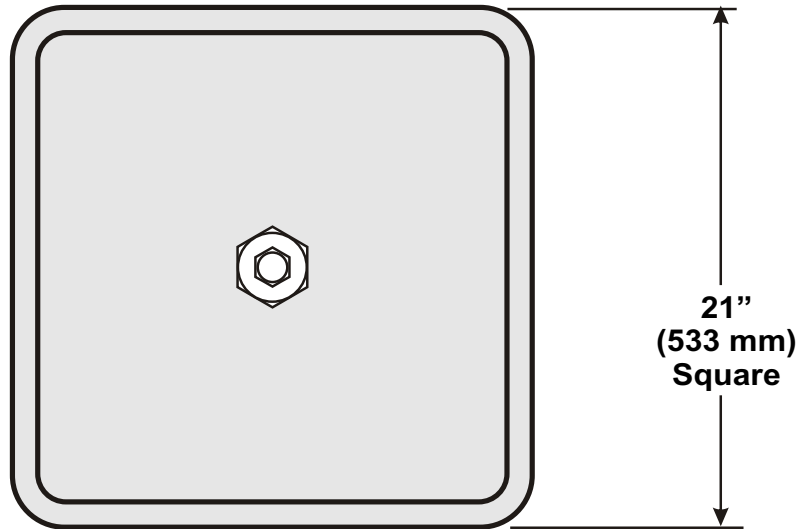
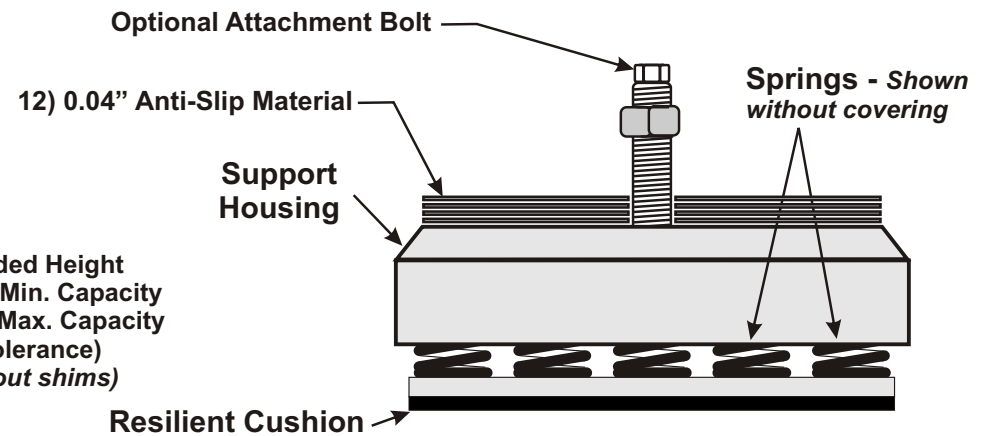
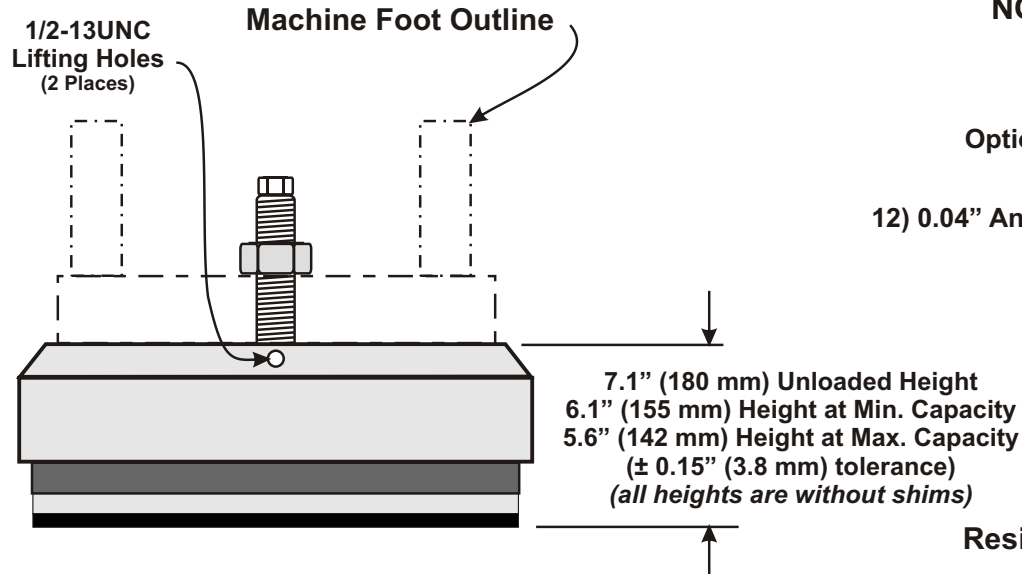


VSM2018 HY/SPEED™ SPRING ISOLATOR SPECIFICATION SHEET



ISOLATOR DATA				
ISOLATOR MODEL	MAXIMUM LOAD		ISOLATOR WEIGHT	
	LBS.	KGS.	LBS.	KGS.
VSM2018-18000	43,950	19,940	350	160
VSM2018-16020	42,700	19,370	350	160
VSM2018-14040	41,450	18,810	350	160
VSM2018-12060	40,200	18,240	350	160
VSM2018-10080	38,950	17,670	350	160
VSM2018-08100	37,700	17,110	350	160
VSM2018-06120	36,450	16,540	350	160
VSM2018-04140	35,200	15,970	350	160
VSM2018-02160	34,000	15,430	350	160
VSM2018-00180	32,750	14,860	350	160
VSM2018-00162	30,900	14,020	345	160
VSM2018-00160	29,100	13,200	340	160
VSM2018-00142	27,250	12,370	335	160
VSM2018-00140	25,450	11,550	330	150
VSM2018-00122	23,600	10,710	330	150
VSM2018-00120	21,800	9,890	325	150
VSM2018-00102	19,950	9,050	320	150
VSM2018-00100	18,200	8,260	315	150

NOTE: Isolator data subject to change without notice.



SS-VSM2018 2010.11