

26SR-2 MICRO/LEVEL® ISOLATOR SPECIFICATION SHEET

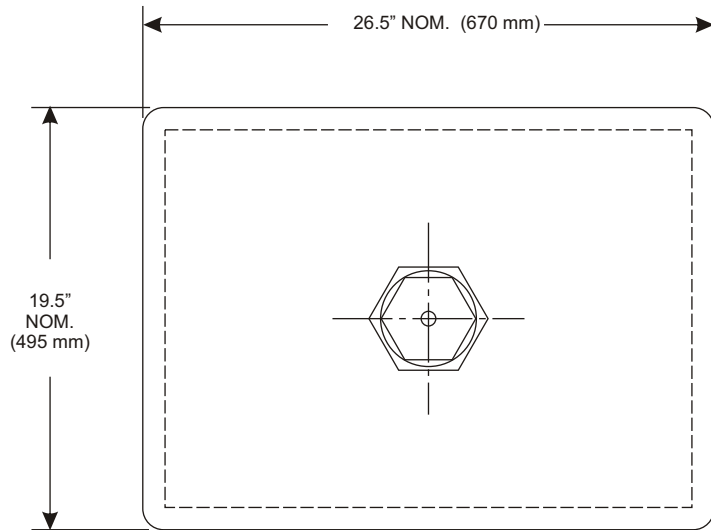
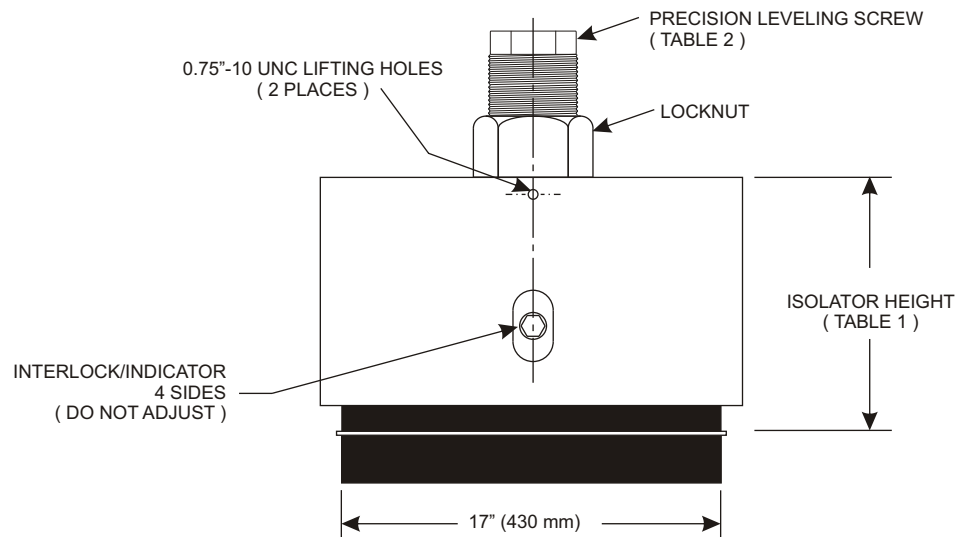
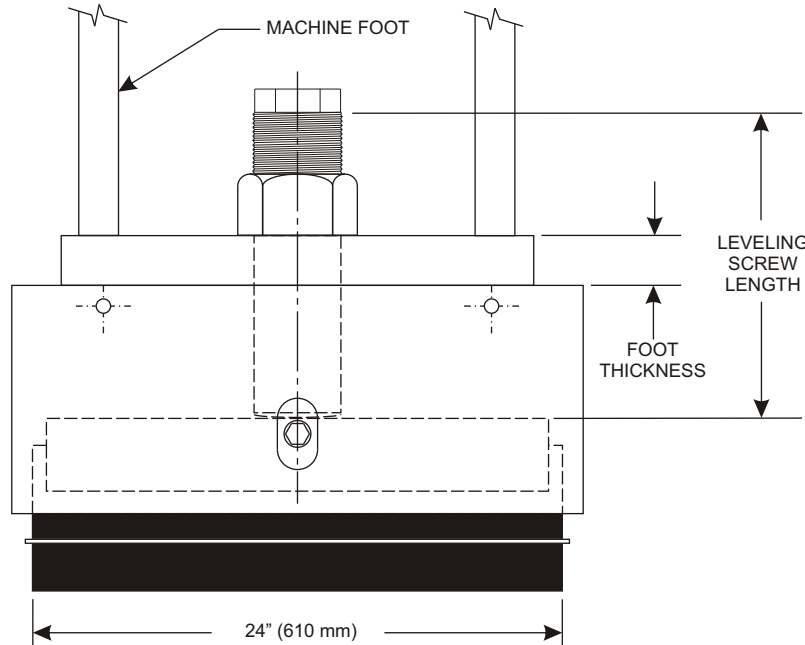


TABLE ONE - ISOLATOR DATA						
Model	Loaded Height ± 0.13 (3.3 mm)				Target Installed Height	
	Minimum		Adjustable to:			
	inch	mm	inch	mm	inch	mm
26SRL1802	9.8	248	10.8	273	10.3	260
26SRL1352	9.8	248	10.8	273	10.3	260
26SRL1102	9.8	248	10.8	273	10.3	260
26SRM1002	10.7	272	11.7	273	11.2	285
26SRM902	10.7	272	11.7	298	11.2	285
26SRM762	10.7	272	11.7	298	11.2	285
26SRM602	10.7	272	11.7	298	11.2	285

Note: Isolator data subject to change without notice.

TABLE TWO - Leveling Screw Data			
Screw Model	Diameter & Pitch	Thread Length	Good for Foot Thickness up to:
2.25M	2.25-12		
2.5M	2.5-12		
2.75M	2.75-12		



SS-26SR 10/2003