

20SR-2 MICRO/LEVEL® ISOLATOR SPECIFICATION SHEET

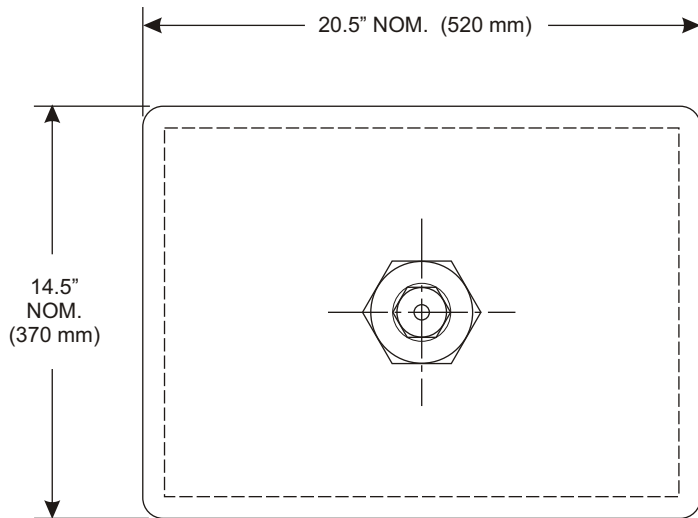
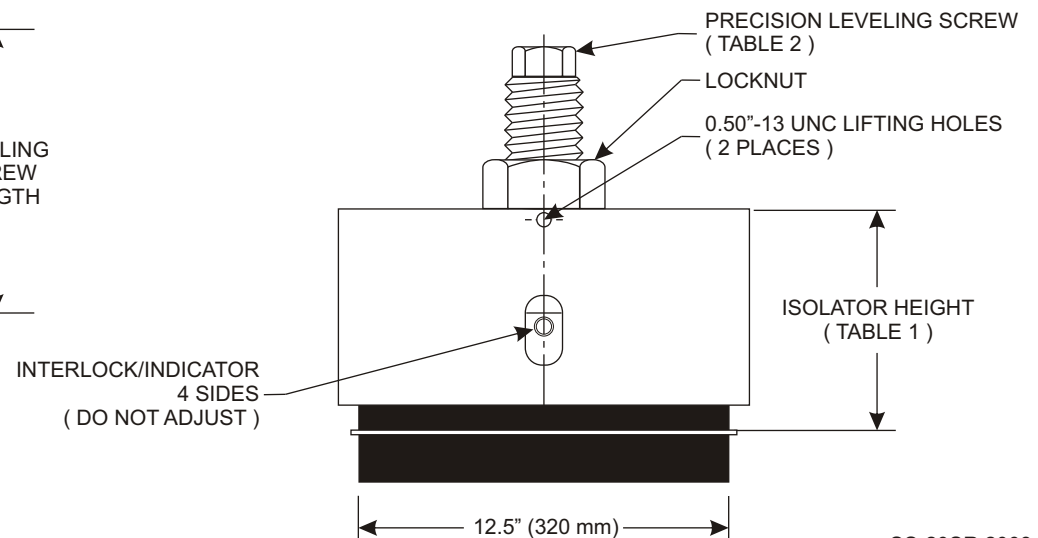
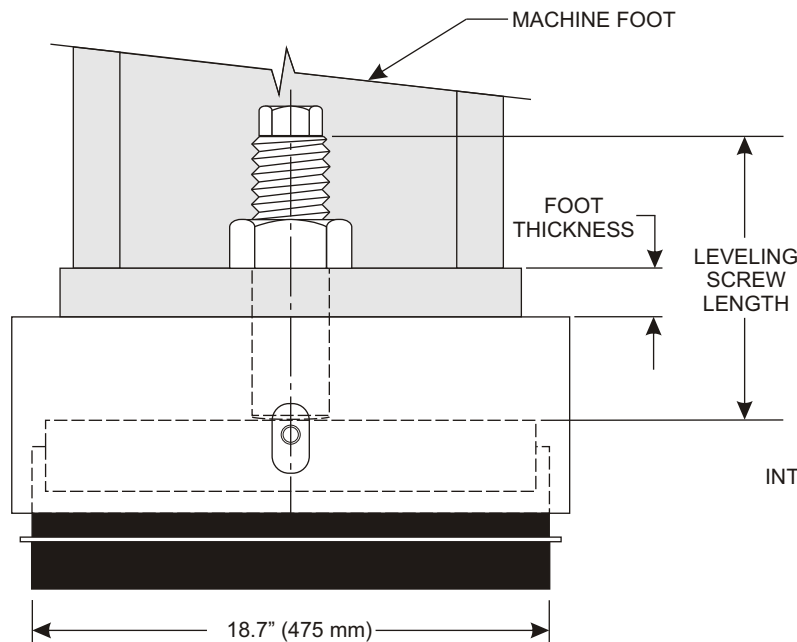


TABLE ONE - ISOLATOR DATA						
Model	Loaded Height ± 0.13 (3.3 mm)				Target Installation Height	
	Minimum		Maximum		inch	mm
	inch	mm	inch	mm		
20SRK702	6.9	176	7.9	201	7.4	189
20SRL622	7.7	194	8.7	220	8.2	207
20SRL572	7.7	194	8.7	220	8.2	207
20SRM542	9.0	228	10.0	253	9.5	240
20SRM442	9.0	228	10.0	253	9.5	240
20SRM342	9.0	228	10.0	253	9.5	240

Note: Isolator data subject to change without notice.

TABLE TWO - Leveling Screw Data			
Screw Model	Diameter & Pitch	Thread Length	Good for Foot Thickness up to:
1.5M	1.5-12		
1.75M	1.75-12		
2M	2-12		
2.25M	2.25-12		
2.5M	2.5-12		
2.75M	2.5-12		



SS-20SR 2008.01