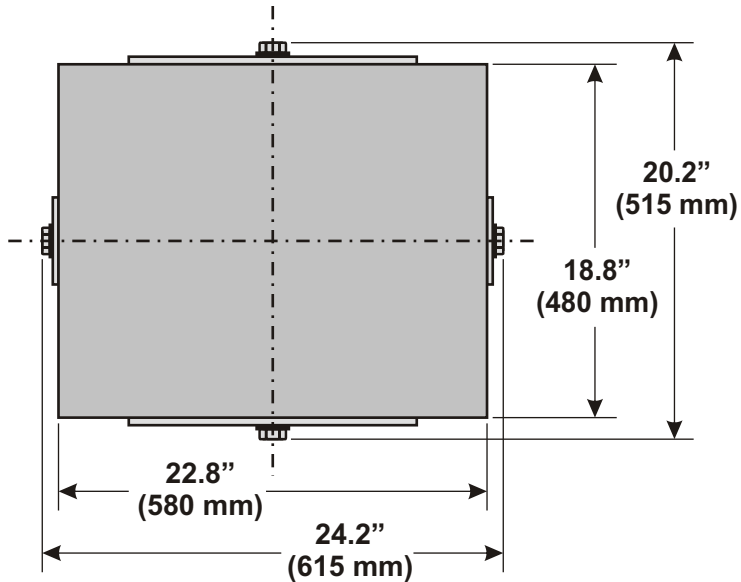


2512MXLP ISOLATION ELEMENT SPECIFICATION SHEET

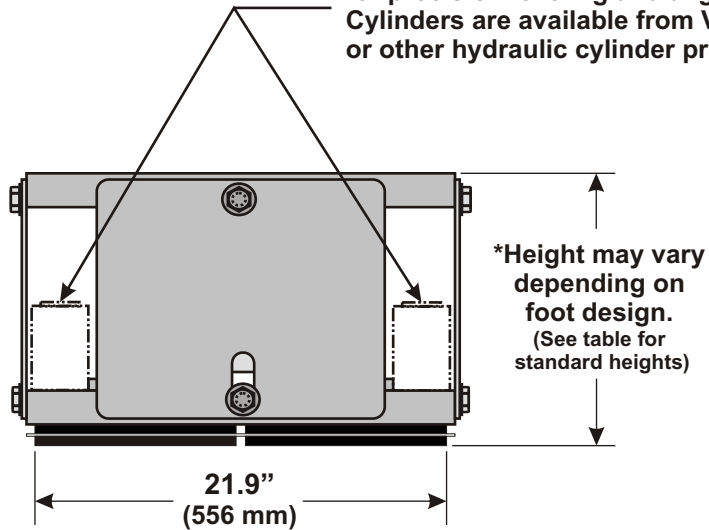


Isolator Dimensional Data								
Model Number	Target Installed Loaded Height *		* Loaded Heights ($\pm 0.13"$ 3.3 mm)				Ship Weight	
			Minimum		Maximum			
	inch	mm	inch	mm	inch	mm	lbs.	kg.
2512MXLP0882	16.3	414	15.6	395	17.1	433	713	324
2512MXLP1122	16.3	414	15.6	395	17.1	433	713	324
2512MXLP1522	15.3	389	14.6	370	16.1	408	688	312
2512MXLP2162	14.7	373	14.0	354	15.5	392	673	305
2512MXLP0883	17.7	450	17.0	431	18.5	469	779	353
2512MXLP1123	17.7	450	17.0	431	18.5	469	779	353
2512MXLP1523	16.2	411	15.5	392	17.0	431	754	342
2512MXLP2163	15.2	386	14.5	367	16.0	405	739	335
2512MXLP0884	19.1	485	18.4	466	19.9	504	845	383
2512MXLP1124	19.1	485	18.4	466	19.9	504	845	383
2512MXLP1524	17.1	434	16.4	415	17.9	453	820	372
2512MXLP2164	15.8	401	15.1	382	16.6	420	805	365

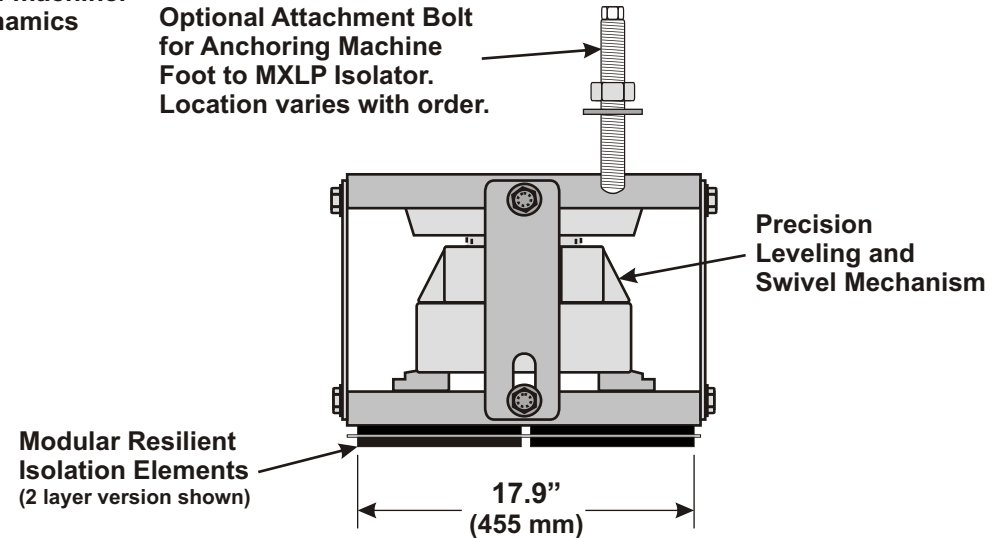
* Isolators are shipped pre-adjusted at target installed height. Adjustment range is ± 0.75 -inch (± 19 mm)

Note: Isolator data subject to change without notice.

Hydraulic cylinders can be inserted into isolator for precision leveling and alignment of machine. Cylinders are available from Vibro/Dynamics or other hydraulic cylinder providers.



Optional Attachment Bolt for Anchoring Machine Foot to MXLP Isolator. Location varies with order.



SS-2512MXLP 2010.09