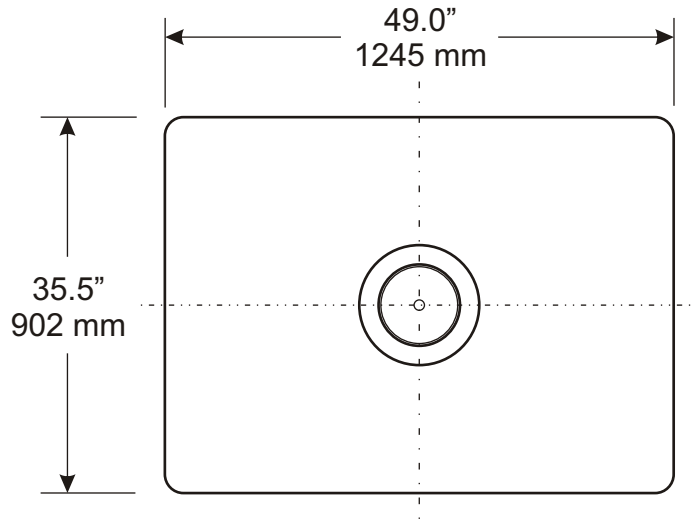
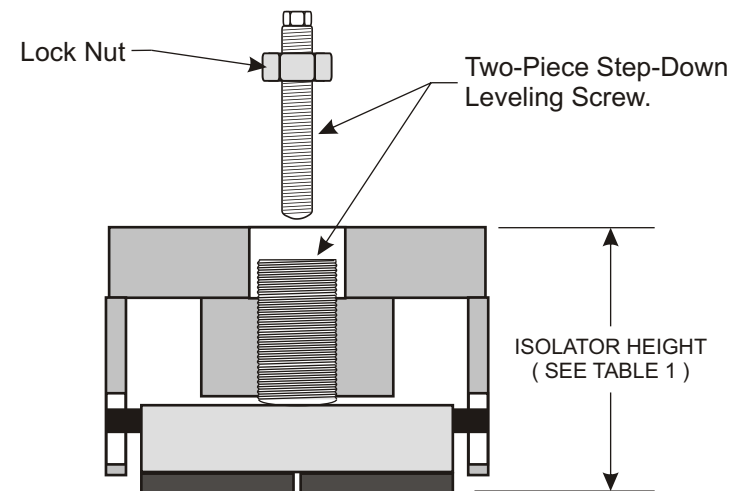
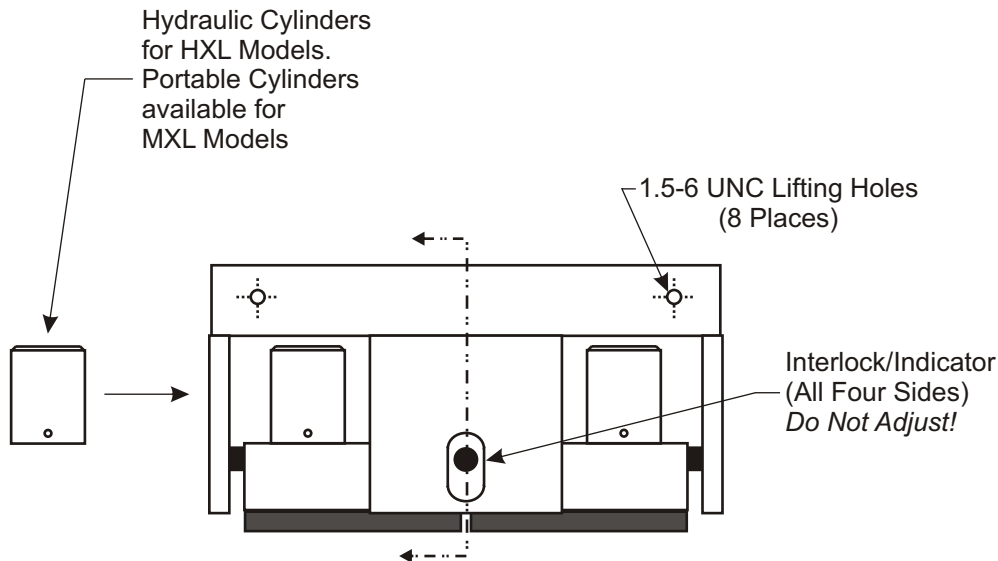


50MXL MICRO/LEVEL® ISOLATOR SPECIFICATION SHEET



| Model Number | Loaded Heights | | | | | | Targeted Installed Height | |
|--------------|----------------|-----|---------|------|-------------|------|---------------------------|------|
| | Minimum | | Maximum | | Tolerance ± | | inch | mm |
| | inch | mm | inch | mm | inch | mm | | |
| 50MXL6481 | 33.8 | 859 | 35.8 | 910 | 0.12 | 3.05 | 34.8 | 884 |
| 50MXL6482 | 35.1 | 892 | 37.1 | 943 | 0.14 | 3.56 | 36.1 | 917 |
| 50MXL6483 | 36.4 | 925 | 38.4 | 976 | 0.16 | 4.06 | 37.4 | 950 |
| 50MXL6484 | 37.8 | 961 | 39.8 | 1011 | 0.19 | 4.83 | 38.8 | 986 |
| 50MXL7201 | 33.4 | 849 | 35.4 | 900 | 0.12 | 3.05 | 34.4 | 874 |
| 50MXL7202 | 34.4 | 874 | 36.4 | 925 | 0.14 | 3.56 | 35.4 | 900 |
| 50MXL7203 | 35.4 | 900 | 37.4 | 950 | 0.16 | 4.06 | 36.4 | 925 |
| 50MXL7204 | 36.4 | 925 | 38.4 | 976 | 0.19 | 4.83 | 37.4 | 950 |
| 50MXL7205 | 37.4 | 950 | 39.4 | 1001 | 0.21 | 5.33 | 38.4 | 976 |
| 50MXL7206 | 38.4 | 976 | 40.4 | 1027 | 0.23 | 5.84 | 39.4 | 1001 |

Note: Isolator data subject to change without notice.



SS-50MXL 2005.06