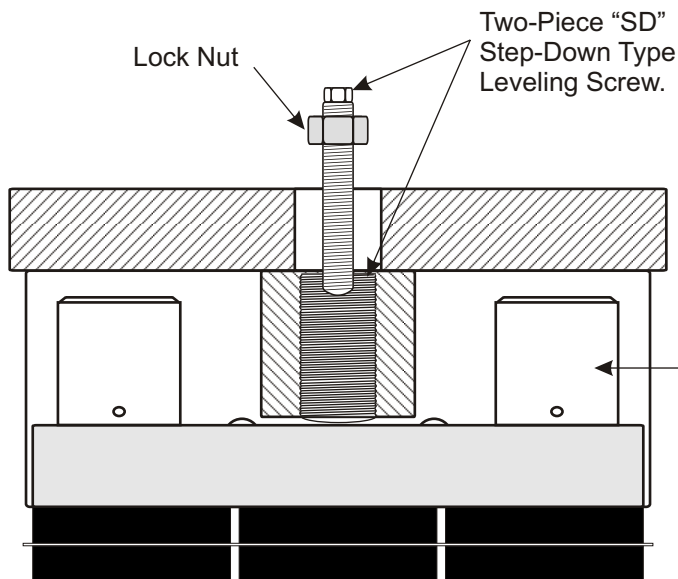
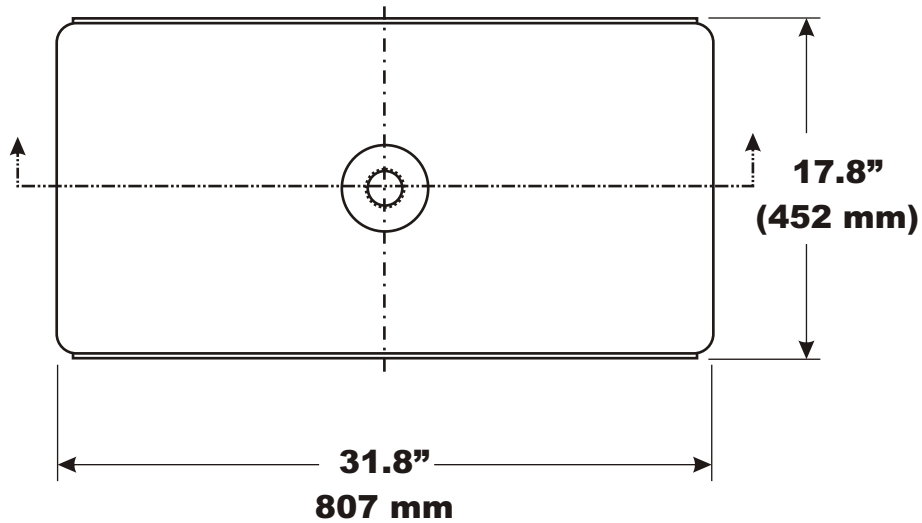
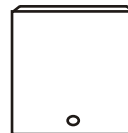


30MXL & 31MXL MICRO/LEVEL® ISOLATOR SPECIFICATION SHEET



Hydraulic Cylinders for HXL Models.
Portable Cylinders available for MXL Models



Model Number	Loaded Heights						Targeted Installed Height	
	Minimum		Maximum		Tolerance ±			
	inch	mm	inch	mm	inch	mm	inch	mm
30MXL1201	17.9	455	19.9	506	0.06	1.5	18.9	481
30MXL1202	19.8	503	21.8	554	0.09	2.3	20.8	529
30MXL1203	21.7	552	23.7	602	0.11	2.8	22.7	577
30MXL1204	23.6	600	25.6	651	0.13	3.3	24.6	625
30MXL1431	17.9	455	19.9	506	0.06	1.5	18.9	481
30MXL1432	19.8	503	21.8	554	0.09	2.3	20.8	529
30MXL1433	21.7	552	23.7	602	0.11	2.8	22.7	577
30MXL1434	23.6	600	25.6	651	0.13	3.3	24.6	625
30MXL1861	17.6	448	19.6	498	0.06	1.5	18.6	473
30MXL1862	19.1	486	21.1	536	0.09	2.3	20.1	511
30MXL1863	20.7	526	22.7	577	0.11	2.8	21.7	552
30MXL1864	22.2	564	24.2	615	0.13	3.3	23.2	590
31MXL2161	17.4	442	19.4	493	0.06	1.5	18.4	468
31MXL2162	18.7	475	20.7	526	0.09	2.3	19.7	501
31MXL2163	20.0	508	22.0	559	0.11	2.8	21.0	534
31MXL2164	21.4	544	23.4	595	0.13	3.3	22.4	569

Note: Isolator data subject to change without notice.

