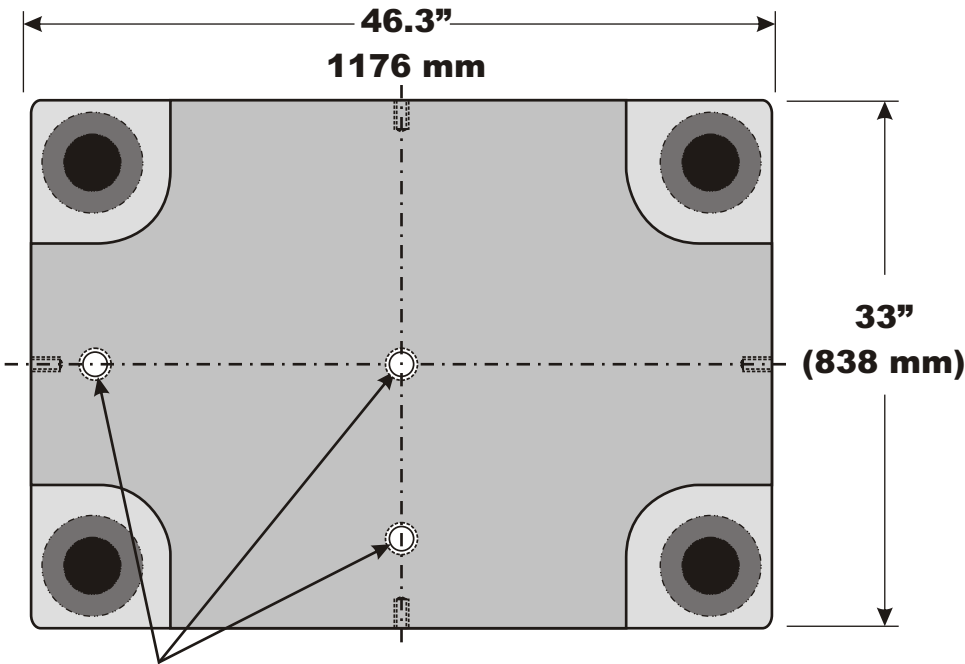
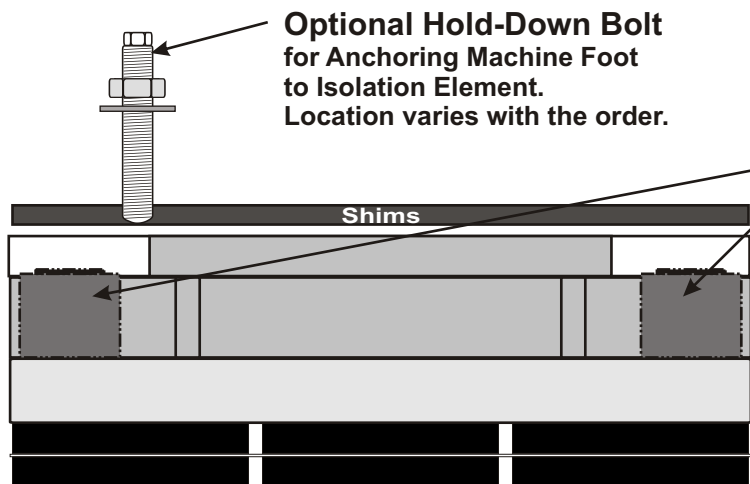


48MXBP & 50MXBP ISOLATION ELEMENT SPECIFICATION SHEET



Potential Hold-Down Bolt Locations



Optional Hold-Down Bolt for Anchoring Machine Foot to Isolation Element. Location varies with the order.

Optional Hydraulic Cylinders (Can be supplied by Vibro/Dynamics or others.)

Modular Resilient Isolation Elements (2 layer version shown)

Model Number	Loaded Heights ($\pm 0.13''$ 3.3 mm)				Targeted Installed Height		Foundation Flatness Tolerance \pm		Foundation Slope Tolerance	
	Minimum (without shims)		Maximum (with shims)		inch	mm	inches \pm	mm \pm	inches / foot / meter	
	inch	mm	inch	mm					inches	mm
48M XBP 3601	13.3	336	14.0	355	13.7	345	0.065	1.66	0.021	1.76
48M XBP 3602	15.3	387	16.0	406	15.7	397	0.065	1.66	0.042	3.52
48M XBP 3603	17.3	438	18.1	457	17.7	448	0.065	1.66	0.063	5.28
48M XBP 3604	19.3	490	20.1	509	19.7	499	0.065	1.66	0.084	7.04
48M XBP 4281	13.3	336	14.0	355	13.7	345	0.065	1.66	0.021	1.76
48M XBP 4282	15.3	387	16.0	406	15.7	397	0.065	1.66	0.042	3.52
48M XBP 4283	17.3	438	18.1	457	17.7	448	0.065	1.66	0.063	5.28
48M XBP 4284	19.3	490	20.1	509	19.7	499	0.065	1.66	0.084	7.04
48M XBP 5581	12.9	327	13.7	346	13.3	337	0.050	1.27	0.016	1.35
48M XBP 5582	14.6	369	15.3	388	15.0	378	0.050	1.27	0.032	2.70
48M XBP 5583	16.2	410	17.0	429	16.6	420	0.050	1.27	0.049	4.05
48M XBP 5584	17.9	452	18.6	471	18.2	462	0.050	1.27	0.065	5.40
50M XBP 6481	12.7	321	13.5	340	13.1	331	0.040	1.02	0.013	1.08
50M XBP 6482	14.1	357	14.9	376	14.5	367	0.040	1.02	0.026	2.16
50M XBP 6483	15.5	393	16.3	412	15.9	402	0.040	1.02	0.039	3.24
50M XBP 6484	16.9	428	17.7	447	17.3	438	0.040	1.02	0.052	4.32
50M XBP 7201	12.4	313	13.1	332	12.7	322	0.025	0.64	0.008	0.68
50M XBP 7202	13.4	339	14.1	358	13.8	348	0.025	0.64	0.016	1.36
50M XBP 7203	14.4	365	15.2	384	14.8	374	0.025	0.64	0.024	2.04
50M XBP 7204	15.4	391	16.2	410	15.8	400	0.025	0.64	0.033	2.72

Note: Isolator data subject to change without notice.

Note: Custom sizes and configurations are available. Isolator data subject to change without notice.

A Shim Pack is provided for approximately 3/4" of leveling adjustment.

It consists of:

- 6) 0.063" Steel Shims, and
- 10) 0.04" Anti-Slip Material

