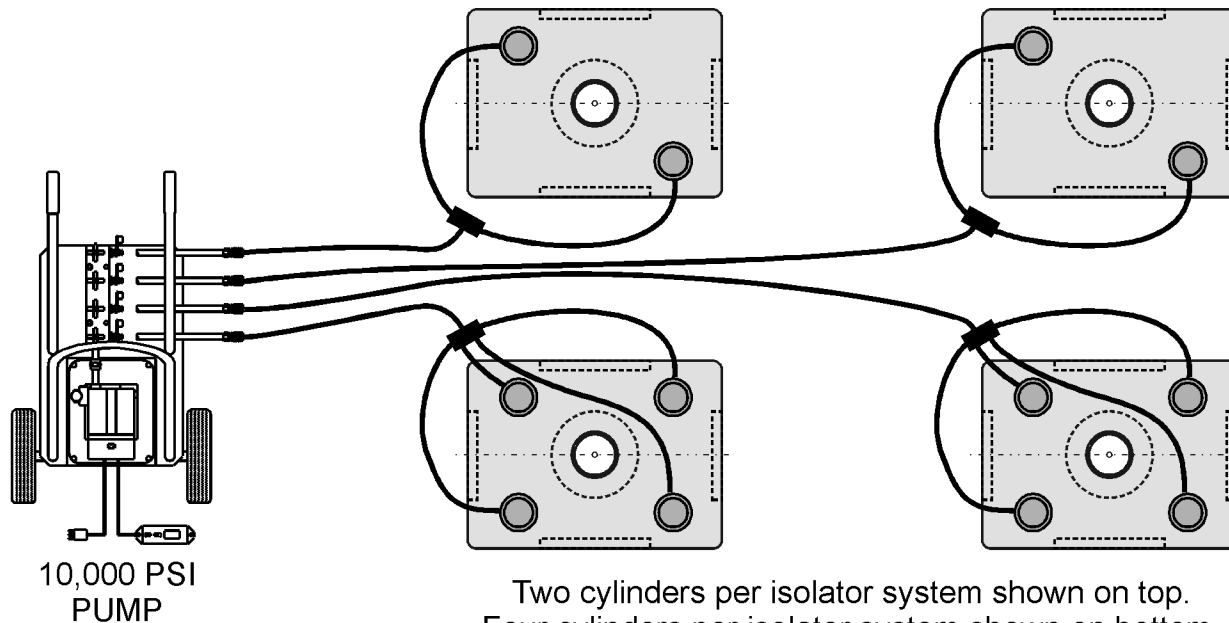
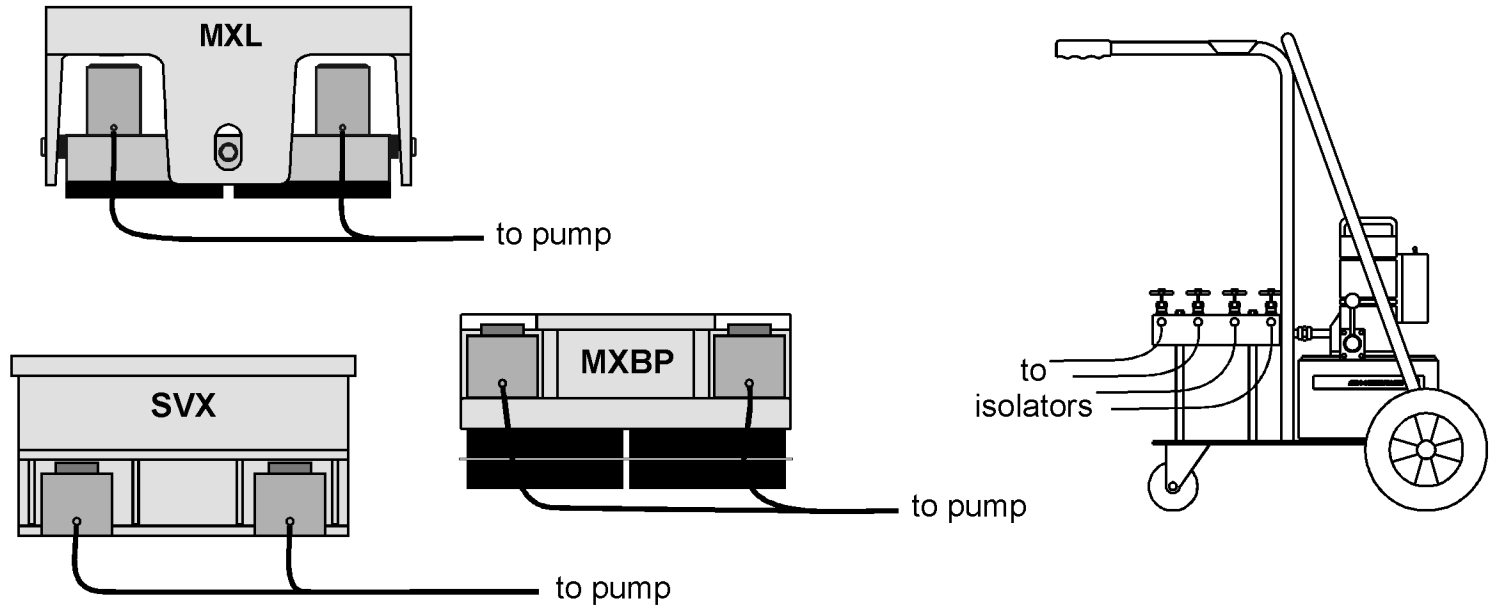


VIBRO/DYNAMICS Hydra/Level® Lift-Assist System

System Description

The Hydra/Level® System is a patented hydraulic lift-assist system available in several Vibro/Dynamics Isolator Types and Models.

Hydra/Level capable isolators have built-in pockets in which hydraulic cylinders can be placed, making leveling and aligning machines faster, easier, and safer. Machine elevation can be easily adjusted, especially when aligning a press with rolling bolster rails. No separate jacks or cribbing are necessary.



Two cylinders per isolator system shown on top.
Four cylinders per isolator system shown on bottom.

NOTE:

All cylinders to be symmetrically positioned within the isolator and then connected to a common manifold, which is then connected to a pump. This ensures equal hydraulic pressure, uniform lifting, and uniform loading of the isolator.

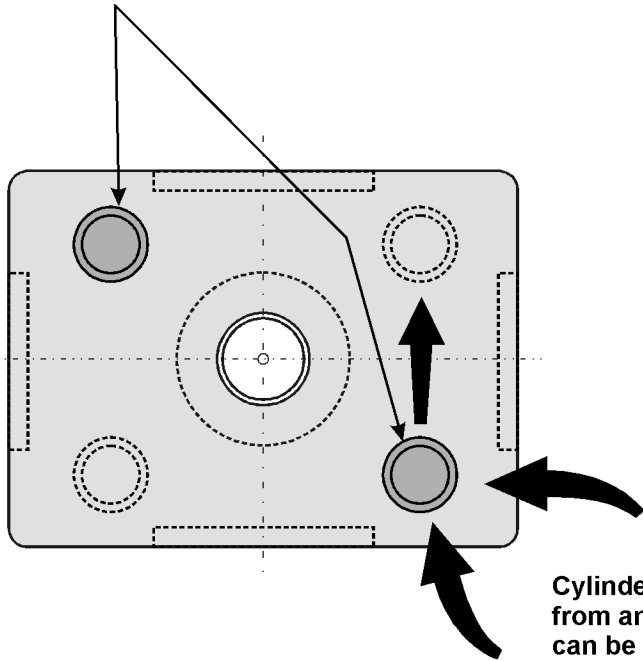
Vibro/Dynamics HPU Series pumps have four ports to handle four isolators at the same time.

Hoses are fitted with Snap-Tite Quick Disconnect Couplers:
#71N2-4M (male) &
#71C2-4F (female).

SS-HL 2006.05

Hydraulic Cylinder Specifications for MXL & MXLP Isolators

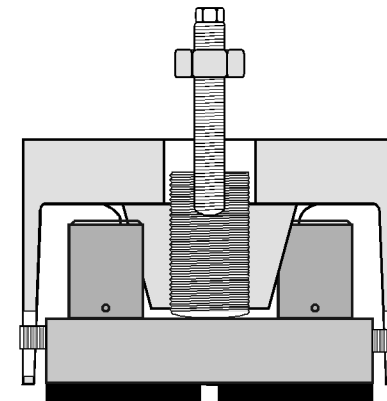
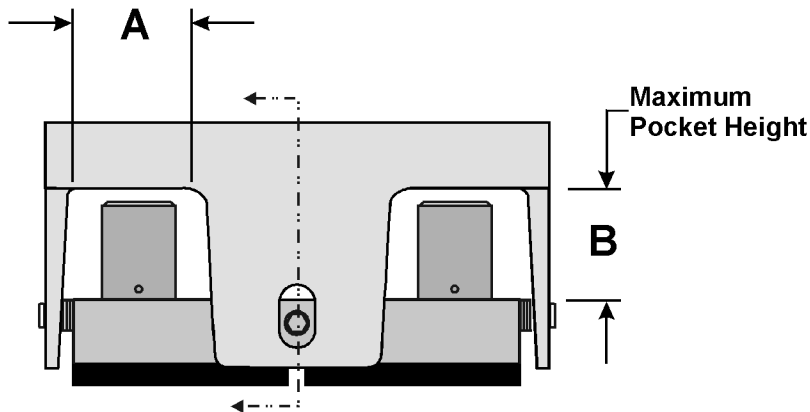
Two Hydraulic Cylinders (Minimum) Should be Placed Symmetrical about the Isolator Centerline. Four Cylinders are required for Some Isolator Models. (See Table)



Hydraulic Cylinder Specifications									
Isolator Model Number Prefix	Cylinder Capacity		Required Number of Cylinders	Est. Fluid Req'd. per Isolator		Pocket Dimensions			
						A		B	
	US Tons	MN		Gal.	Liter	Width inches	mm	Height inches	mm
24MXL & 24MXLP	30	0.27	2	0.14	0.53	6.0	152	5.13	130
25MXL & 25MXLP	50	0.44	2	0.16	0.61	14.7	373	7.7	196
30MXL & 30MXLP	50	0.44	2	0.16	0.61				
31MXL & 31MXLP	100	0.89	2	0.38	1.44	8.5	216	7.35	187
33MXL & 33MXLP	100	0.89	2	0.38	1.44	9	229	7.35	187
34MXL & 34MXLP			2	0.38	1.44				
35MXL & 35MXLP	100	0.89	2	0.38	1.44	12.4	315	12.2	310
36MXL & 36MXLP			4	0.76	2.88				
48MXL & 48MXLP	100	0.89	4	0.38	1.44	12.4	315	12.2	310
50MXL & 50MXLP									

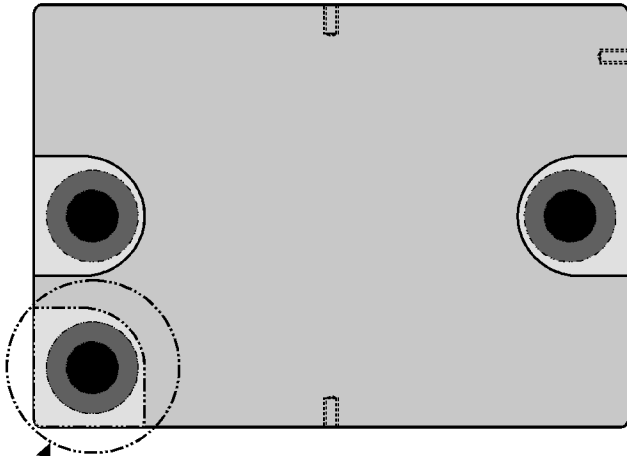
Cylinder Hydraulic Connector Type - Snap-Tite (#71N2-4M) Male Quick Disconnect Coupler.

Maximum Pocket Width



SS-HL 2006.05

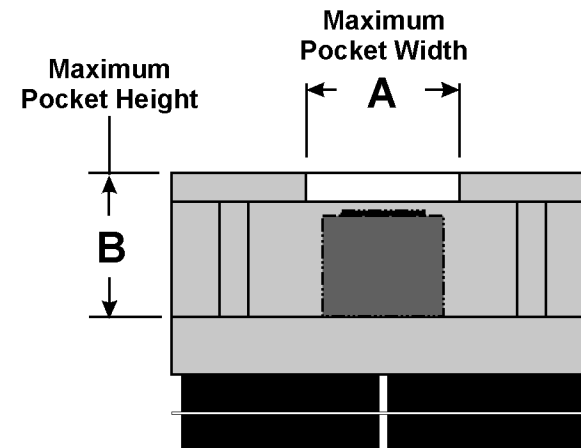
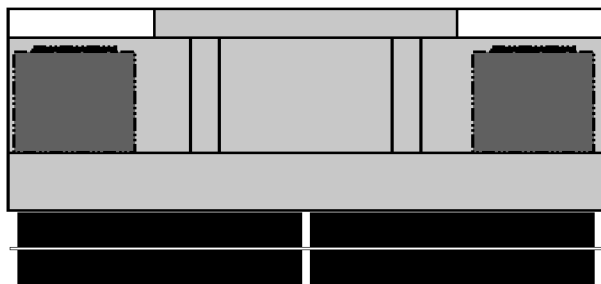
Hydraulic Cylinder Specifications for MXBP Isolators



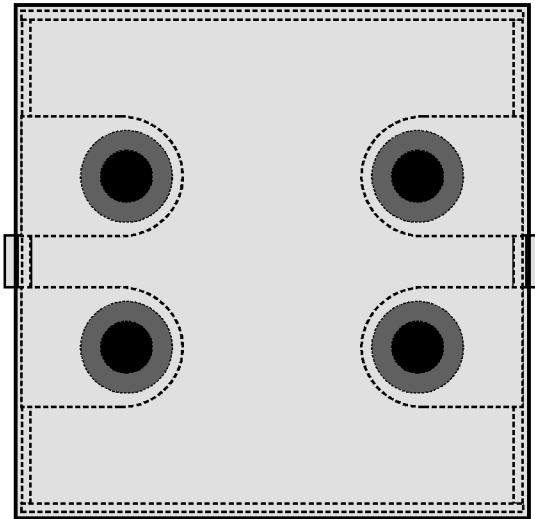
Four cylinder systems are located in the corners as shown.

Hydraulic Cylinder Specifications									
Isolator Model Number Prefix	Cylinder Capacity		Required Number of Cylinders	Est. Fluid Req'd. per Isolator		Pocket Dimensions			
						A		B	
	US Tons	MN		Width	Height	inches	mm	inches	mm
24MXBP	30	0.27	2	0.14	0.53	5.0	127	5.5	164
25MXBP	50	0.44	2	0.16	0.61				
30MXBP	50	0.44	2	0.16	0.61	5.8	147	7	178
31MXBP	100	0.89	2	0.38	1.44				
33MXBP	100	0.89	2	0.38	1.44	8.25	210	7.5	191
34MXBP									
35MXBP	50	0.44	4	0.32	1.21	8.25	210	7.5	191
36MXBP	100	0.89	4	0.76	2.88				
48MXBP	100	0.89	4	0.76	2.88	8.25	210	7.5	191
50MXBP									

Cylinder Hydraulic Connector Type - Snap-Tite (#71N2-4M) Male Quick Disconnect Coupler.

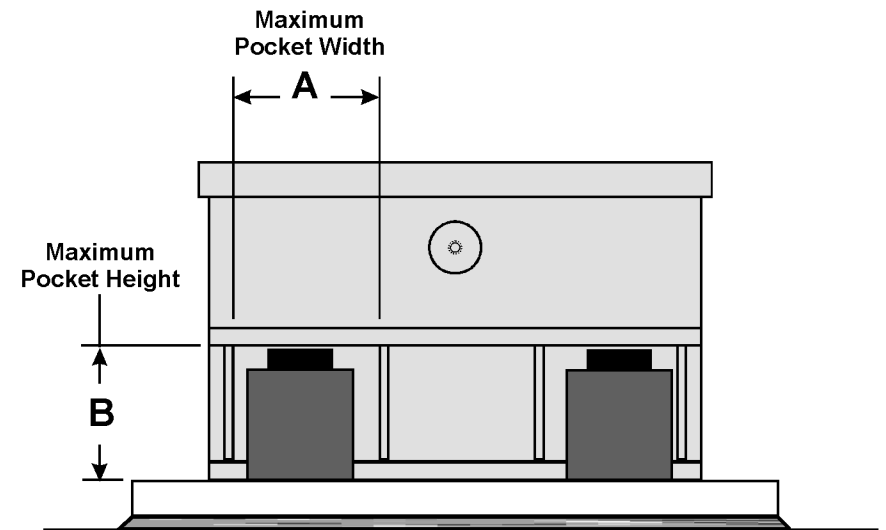
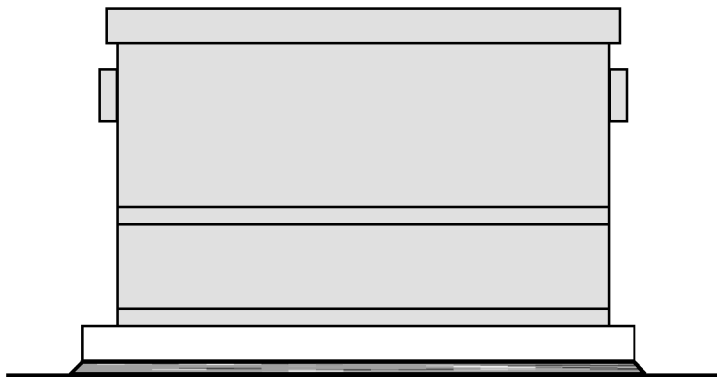


Hydraulic Cylinder Specifications for SVX Spring Isolators



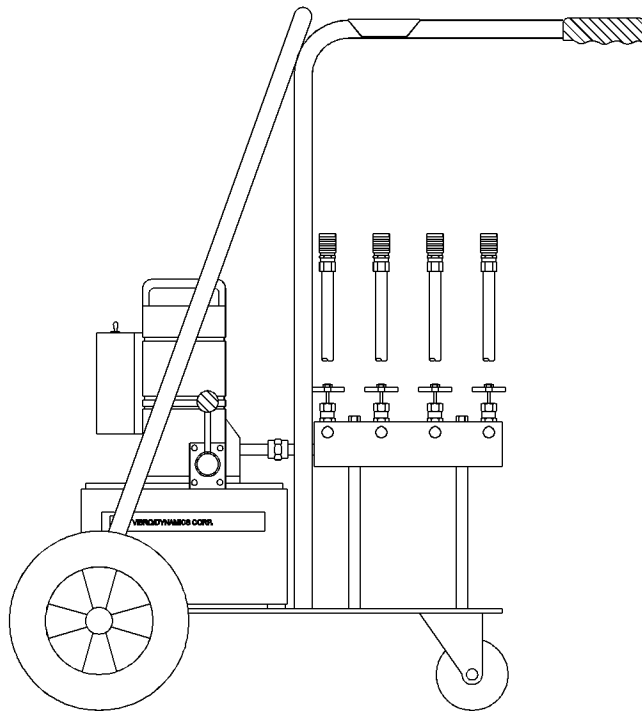
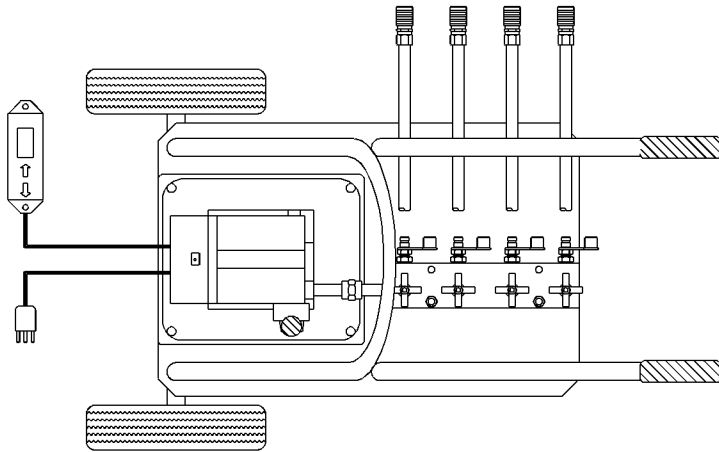
Isolator Model Number Prefix	Minimum Cylinder Lifting Capacity		Number of Cylinders Required	Pocket Dimensions			
				A		B	
				Width		Height	
	US Tons	MN		inches	mm	inches	mm
SVX3309	30	0.27	2	5.0	127	5.5	140
SVX4806	35	0.31	2	5.0	127	5.5	140
SVX4809	35	0.31	4	5.0	127	5.5	140
SVX6009	35	0.31	4	7.5	191	7.6	193
SVX6012	50	0.44	4	7.5	191	7.6	193
SVX6016	65	0.58	4	7.5	191	7.6	193
SVX6020	80	0.71	4	7.5	191	7.6	193
SVX6024	100	0.89	4	7.5	191	7.6	193

Cylinder Hydraulic Connector Type - Snap-Tite (#71N2-4M) Male Quick Disconnect Coupler.



SS-HL 2006.05

HPU1402 & 1410 Hydraulic Pump Unit Specifications



4 HOSE SYSTEM SHOWN

EXAMPLE OF MODEL NUMBER

HPU 1402

CONNECTOR STYLE (1 STD.)

NUMBER OF OUTLETS

RESERVOIR SIZE
2 - 10 GAL.

HYDRAULIC POWER UNITS ARE AVAILABLE IN THREE BASIC CONFIGURATIONS:

- A SINGLE HOSE VERSION,
- A TWO HOSE VERSION,
- A FOUR HOSE VERSION.

THE STANDARD HOSE CONNECTOR IS A 1/4" NPT QUICK-DISCONNECT.

MALE COUPLER (SNAP-TITE P/N 71N2-4M).

FEMALE COUPLER (SNAP-TITE P/N 71C2-4F).